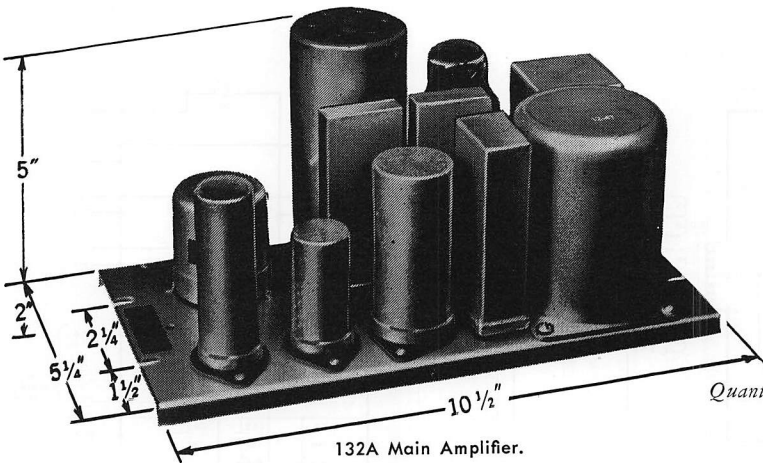


## 132A AMPLIFIER



**Use** — The 132A is recommended as a main amplifier in modern sound system installations. In addition to feeding normally equalized transmission lines or master switching circuits, adequate power is available to handle program bus systems or studio auditioning facilities.

**Description** — This two stage amplifier has compact physical dimensions, low signal-to-noise ratio, gain and output capable of providing a suitable margin above line level to allow for losses in coupling and equalizing devices. Fidelity is maintained over the full 50-15,000 cycle range through use of stabilized feedback, and components are fully shielded to prevent self-generated noise. The 132A operates from an external power supply, and is suited for either desk or rack mounting. Resistors in cathode circuits are provided to permit tube checks.

### Features

- Latest design.
- Can handle program bus systems and studio auditioning facilities.
- High signal-to-noise ratio.
- Stabilized feedback.
- Desk or rack mounting.
- Easy checking of tubes.
- Compact.

### Typical Specifications

**Frequency Response:**  $\pm 1$  db, 50 to 15,000 cycles.

**Output Noise:**  $-65$  dbm.

**Source Impedance:** 30, 250, or 600 ohms matching. For bridging add proper input pad.

**Load Impedance:** 600 ohms.

**Maximum Gain:** 48 db.

**Output Power:**  $+28$  dbm (600 milliwatts) with 1 per cent total harmonic distortion.

**Power Supply:** Filament 6.3 volts, 1.5 amperes, a-c or d-c; plate 275 volts, 31 ma., d-c.

### VACUUM TUBES

Quantity Required	Western Electric	Commercial Receiver Type
1	348A	or 6J7 (6J7G or 1620)
1	349A	or 6F6 (or 6F6G)
2		

**Mounting:** Designed for console mounting; also for rack mounting on a 190 type or 206A Mounting Plate (capacity three 132A Amplifiers per plate). For panels, see page 95, Components and Accessories.

**Weight:** 7 pounds.

**Finish:** Gray.

**Accessories:** The following accessory equipment is recommended for use with this amplifier:

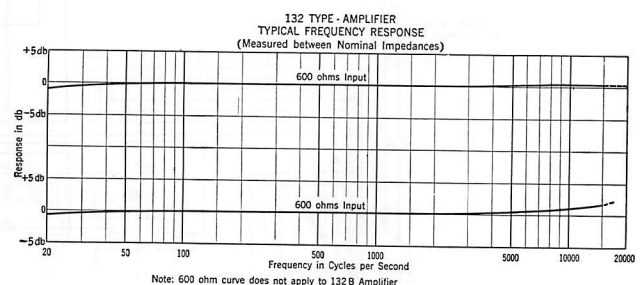
- 1 — KS-10003 Meter (for measuring plate currents of vacuum tubes).
- 1 — Western Electric 18 or 20 type Rectifier.
- 1 — Western Electric 190 type or 206 A Mounting Plate.

## 132B AMPLIFIER

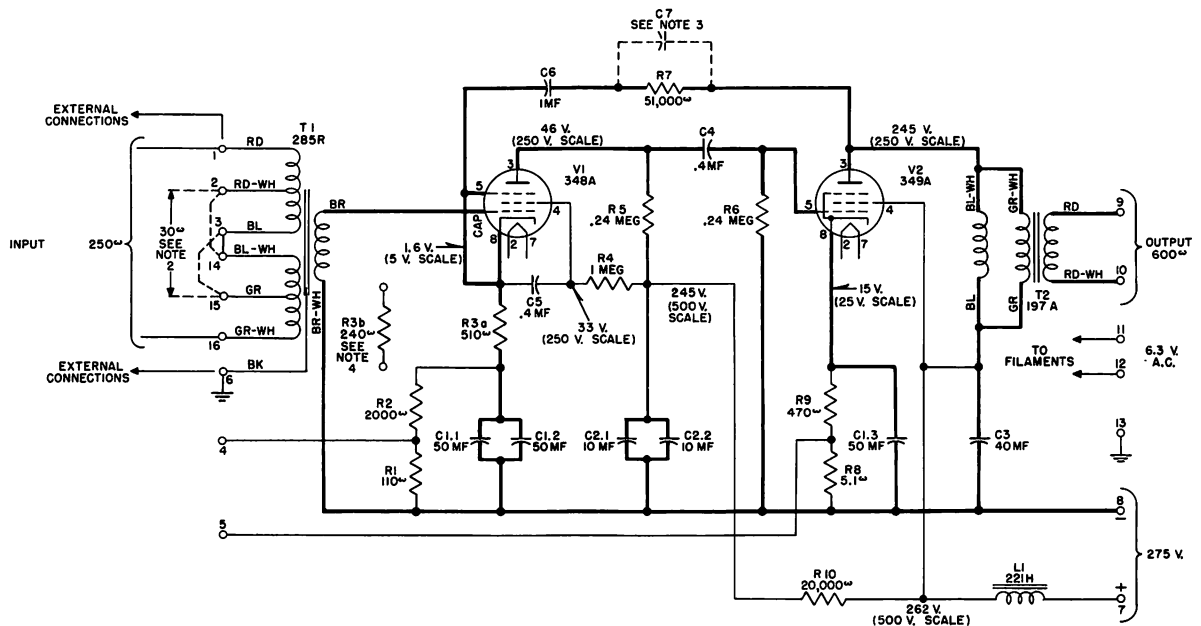
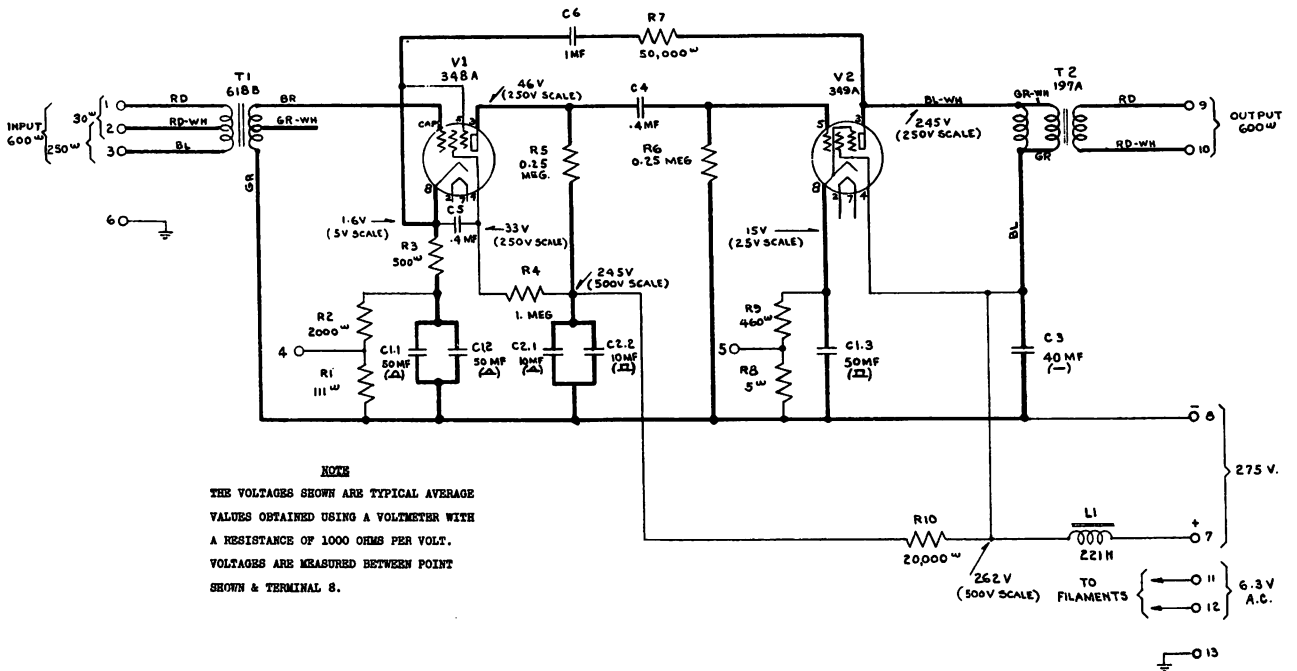
The 132B Amplifier is similar to the 132A Amplifier, but has an input transformer with electrostatic and extra electromagnetic shielding and is arranged for balanced operation. It has 51 db gain, as shipped, with provision for an increase to 60 db gain.

**Typical Specifications** (same as 132A Amplifier except for the following):

	As Shipped	Modified for Increased Gain
<b>Gain:</b>	51 db	60 db
<b>Output Noise:</b>	$-64$ dbm	$-58$ dbm
<b>Output Power:</b>	$+27$ dbm	$+24$ dbm



Frequency Response Curves, 132 type Amplifiers (curve shown for 600 ohm input does not apply to the 132B Amplifier).



NOTES:

1. THE VOLTAGES SHOWN ARE TYPICAL AVERAGE VALUES OBTAINED USING A VOLTMETER WITH A RESISTANCE OF 1000 OHMS PER VOLT. VOLTAGES ARE MEASURED BETWEEN POINT SHOWN AND TERMINAL 8.
2. FOR 30<sup>W</sup> OPERATION: REMOVE STRAP BETWEEN TERMINALS 3 AND 14, AT T1. ADD STRAPS 3-15 AND 2-14.
3. THE VALUE OF C7 IS DETERMINED DURING MANUFACTURE AND MAY BE ANY VALUE BETWEEN 100 AND 180 MMF.
4. R3b IS NOT WIRED IN THE CIRCUIT. IT IS FURNISHED SO THAT THE GAIN OF THE AMPLIFIER MAY BE INCREASED FROM 51db TO 60db BY SHUNTING R3b ACROSS R3a.

132B Amplifier Schematic