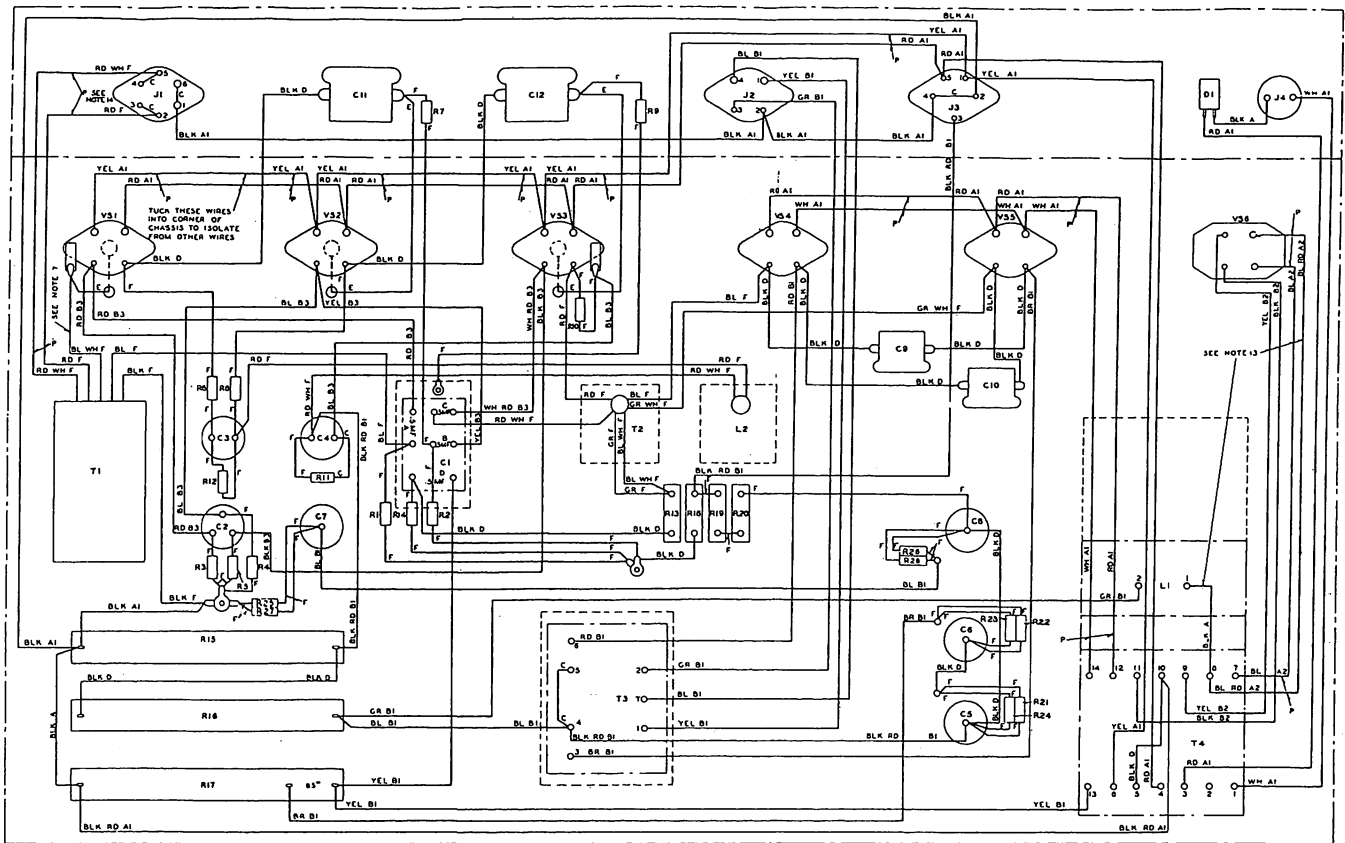


Schematic of 92B Amplifier.



**MECHANICAL CHARACTERISTICS**

- Appearance** —Aluminum finished, chassis type construction as shown on Page 1.
- Width** —11-7/8 inches including flanges on chassis.
- Length** —16-3/4 inches.
- Height** —8-1/2 inches to top of 300A Vacuum Tubes.
- Weight** —Approximately 43 pounds.
- Mounting** —To be mounted on horizontal rails or on a shelf.
- Vacuum Tubes** —3 262A Vacuum Tubes.  
—2 300A Vacuum Tubes.  
—1 274A Vacuum Tube.

- Power Cord** —A 10-foot power cord is furnished with the amplifier.
  - Connecting Plugs** —The input and output connections are accomplished by means of Eby 7CL (6 prong) and Eby 7AL (4 prong) plugs respectively, which are furnished with the amplifier.
- NOTE:** The vacuum tubes are not furnished as part of the amplifier and must be ordered separately.

**ELECTRICAL CHARACTERISTICS**

- Gain** —105 db  $\pm$  2 db.
- Frequency Range** —50-8000 c.p.s.  $\pm$  1 db.
- Operates From** —30 ohms.
- Internal Impedance** —Open.
- Operates Into** —12 ohms or 350 ohms.
- Internal Output Impedance** —3.25 or 95 ohms
- Output Power** —20 Watts or + 35.3 db level with respect to 0.006 watt.
- Output Noise (—)** —22 db (unweighted) with respect to 0.006 watt.
- Power Required** —165 Watts at 60 c.p.s. 105-125 volts. The supply should be fused for 3 amperes.