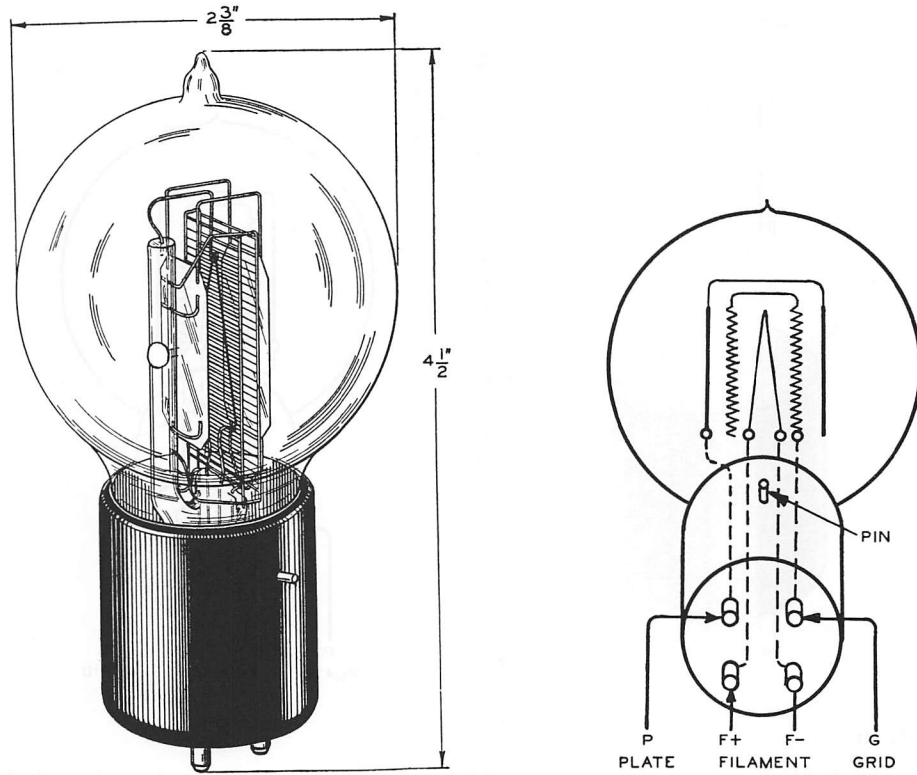


102-E Vacuum Tube

Used with Western Electric Vacuum Tube Sockets Nos. 100-L or 100-R.



USE—DETECTOR—AMPLIFIER

Normal filament current.....	0.95 ampere
Normal filament voltage.....	2 to 2.5 volts
Normal plate current.....	0.3 to 1.5 milliamperes
Normal plate voltage.....	100 to 150 volts
Maximum safe plate voltage.....	160 volts
Normal grid voltage.....	0 to -3 volts
Plate to filament impedance.....	40,000 to 100,000 ohms
Amplification constant.....	.26 to 34

NOTE

Electrical values given above apply when tube is used as amplifier. When used as a detector or for other purposes, the applied voltages may be varied according to circuit conditions and thus cause a corresponding variation in other electrical values.

For maximum useful life the filament current should be kept as low as possible to secure the desired output.

If 1.15 amperes is exceeded the life will be materially shortened.