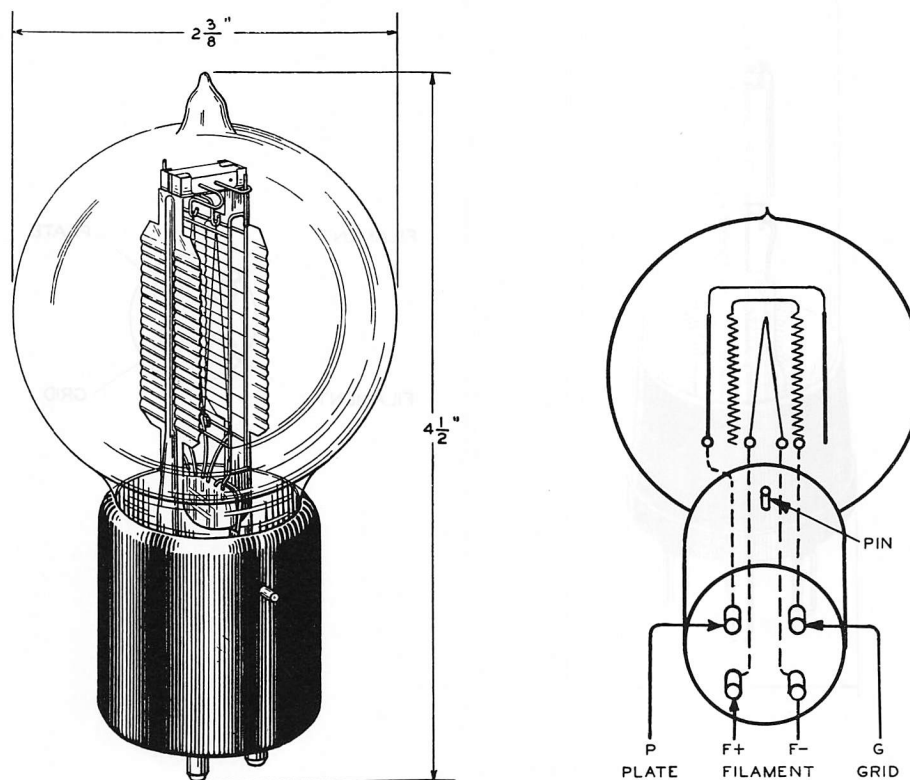


## 216-A Vacuum Tube

Used with Western Electric Vacuum Tube Sockets Nos. 100-L or 100-R



### USE—AMPLIFIER—OSCILLATOR

Normal filament current.....	1.0 ampere
Normal filament voltage.....	5 to 6 volts
Normal plate current.....	6.5 milliamperes
Normal plate voltage.....	130 volts
Maximum safe plate voltage.....	160 volts
Normal grid voltage.....	—9 volts
Plate-filament impedance.....	5900 ohms
Amplification constant.....	5.9

### NOTE

An increase of 10% in the filament current may cause as much as 50% decrease in the useful life. For maximum life, therefore, the current should be kept as low as possible to secure the desired output.